

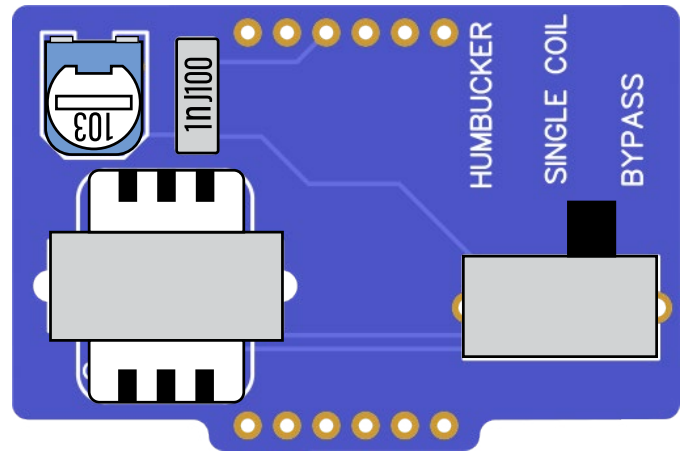
Pickup Simulator Kit: *Hacker's Guide*



INTRODUCTION

The [MAS Effects Beginner Pedal Kit](#) utilizes its low input impedance to load your guitar's pickup and create a darker and fuller tone. You'll find similar behavior in a variety of vintage fuzz pedals.

This means you need to plug your guitar directly into it. If, on the other hand, you'd like to put the pedal later in your signal chain you can use this pickup simulator kit. It sits before the effect, and uses a transformer and passive filter to emulate a guitar pickup.



HACKING THE KIT FOR OTHER USES

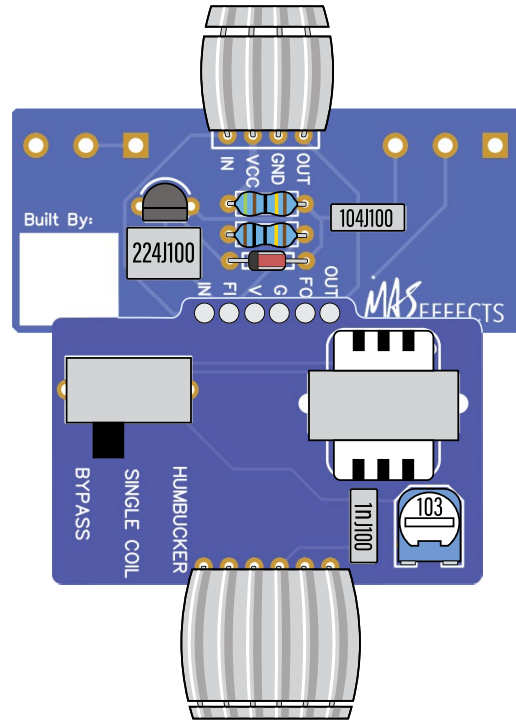
Although this is custom-designed for our Beginner Pedal Kit, you can use it in other contexts as well.

Buy it standalone here: <https://shop.mas-effects.com/products/pickup-simulator-kit>

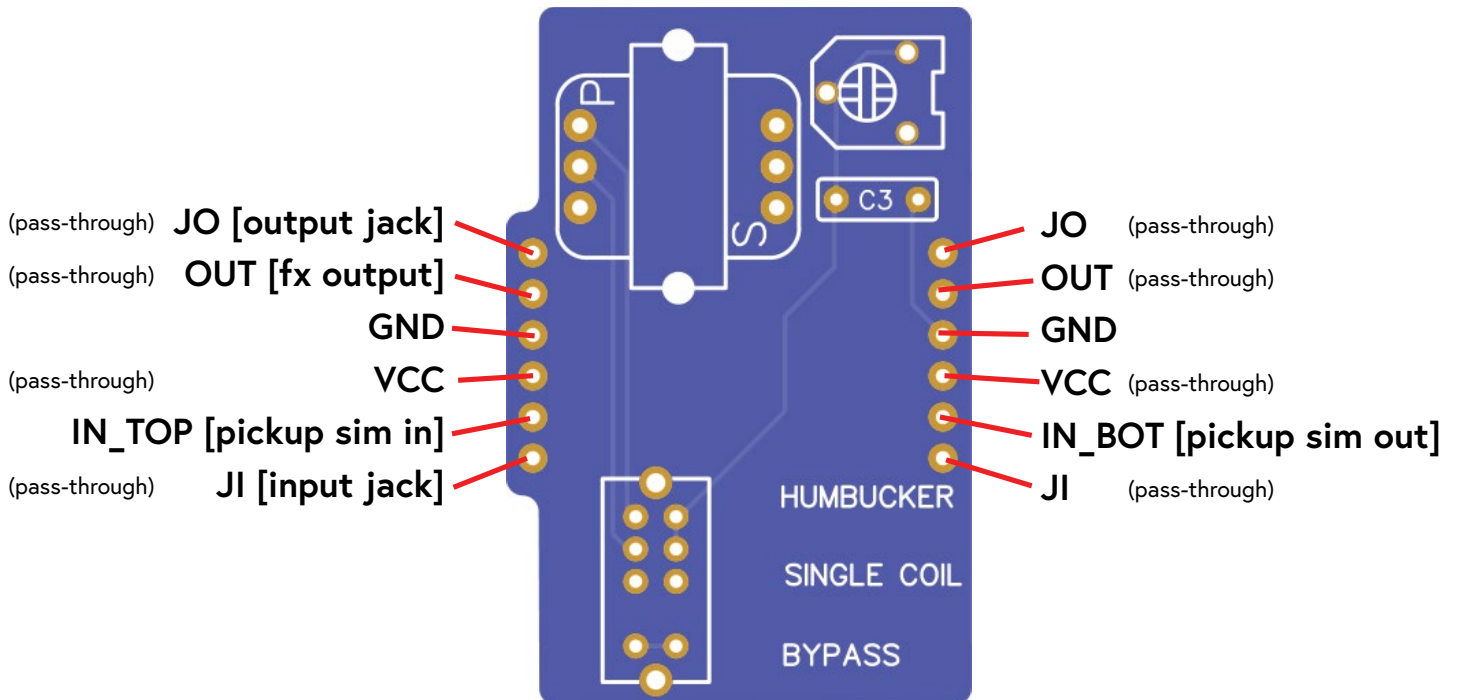
USAGE IN THE BEGINNER PEDAL KIT

This is how the kit is positioned in the Beginner Pedal Kit.

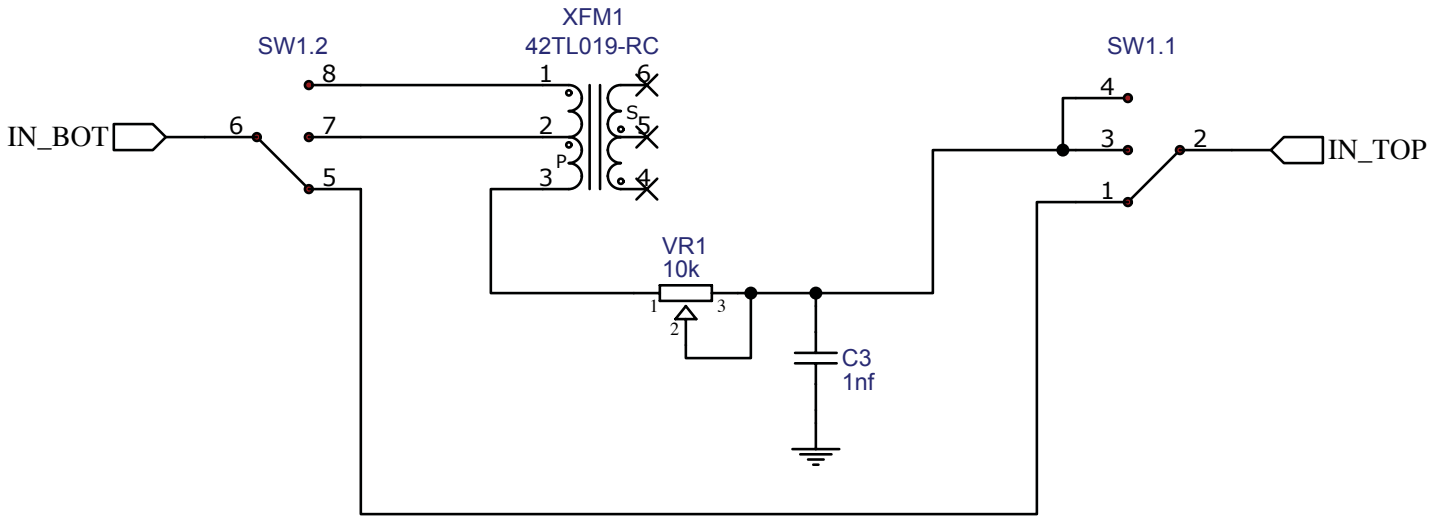
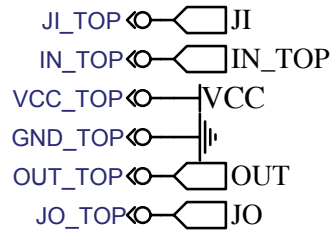
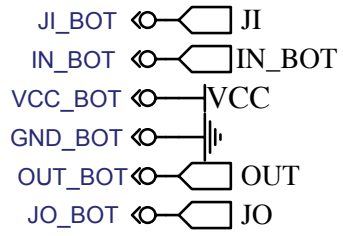
Notice in the wiring guide below how some of the connectors simply pass the signal along between the PCBs.



WIRING GUIDE



SCHEMATIC



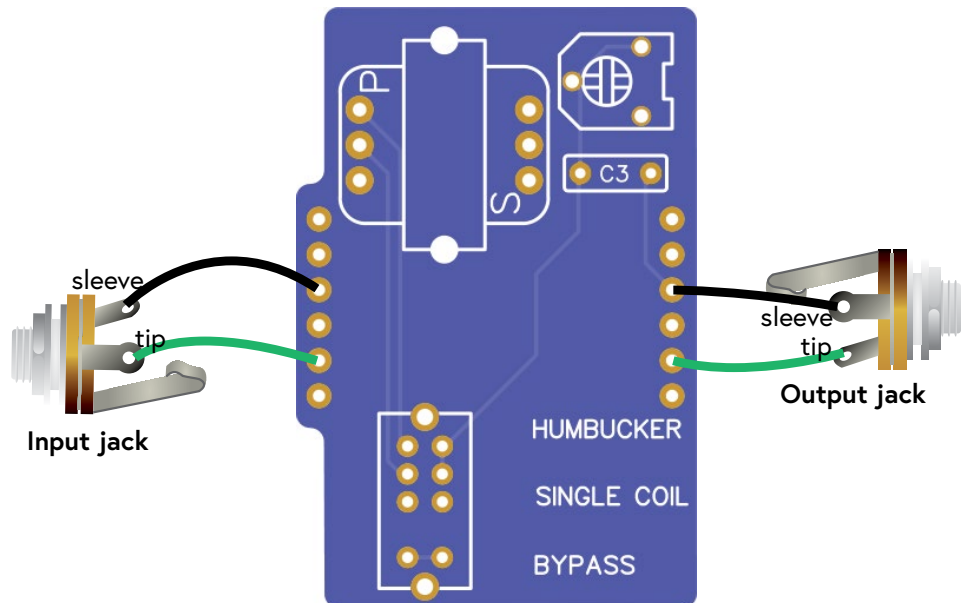
STANDALONE PEDAL

When building a standalone pedal, be sure to securely mount the PCB in the enclosure. Double-sided foam tape works great for this.

Option 1:

For a simple always-on pickup simulator, you can simply wire it like this:

If you ever need to bypass the pedal, you can open the case and flip the on-board switch to "BYPASS"



Option 2:

If you want to be able to engage and bypass the pickup simulator with an external foot switch or toggle switch, you may wire it like this:

